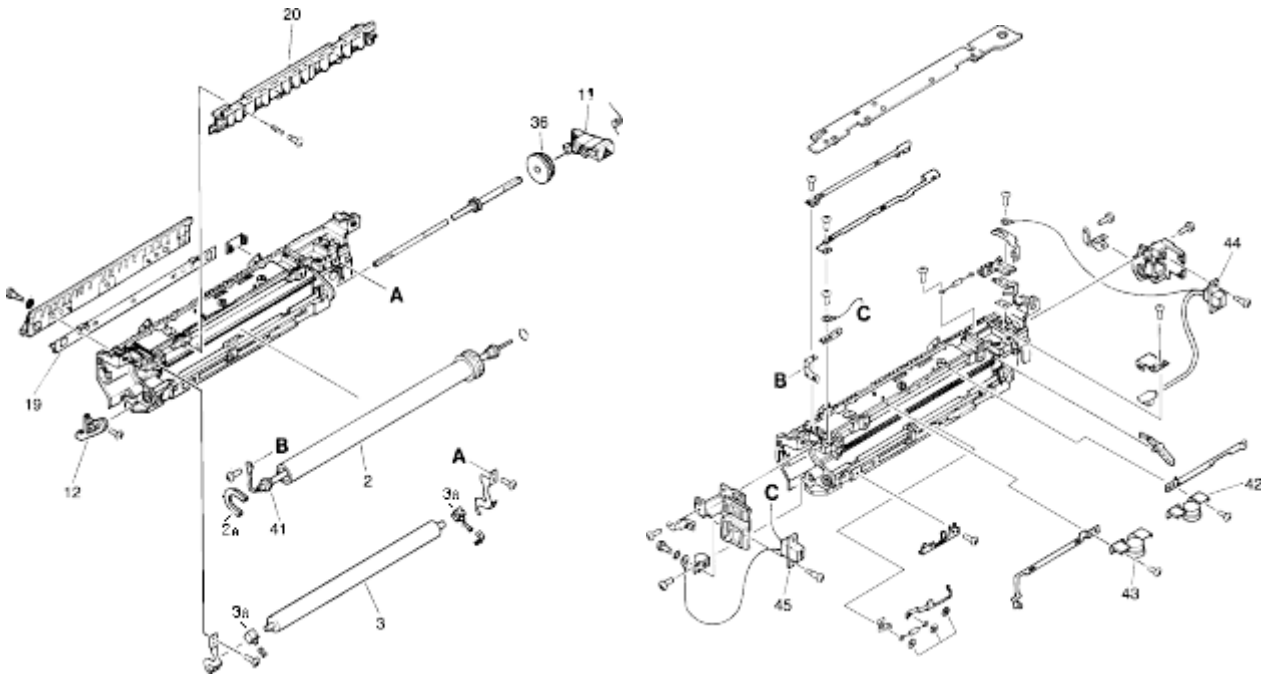


HP LX - IIP / IIIP

Fixing Assembly

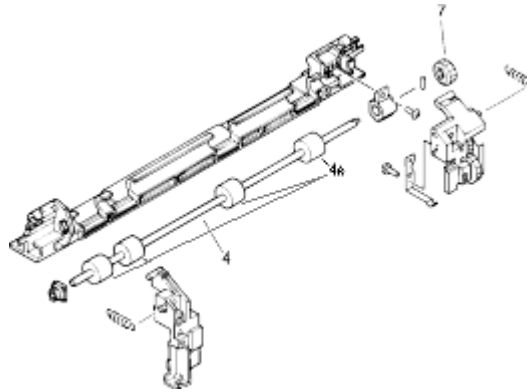


Ref	Part #	Description
All	RG1-1788E	Fixing Assembly
2	RF1-2505	Upper Roller w/o Gear
	RF1-2505N	Upper Roller w/Gear
2A	RA1-7587	Upper Roller Bushing
3	RA1-7583	Lower Roller
3a	Lower Roller Bushings	Lower Roller Bushings
11	RA1-7592	Right Hook Plate
12	RA1-7593	Left Hook Plate
19	RA1-7600	Static Charge Eliminator
20	RF1-2495	Paper Delivery Guide
36	RS1-0287	27T / 21T Gear

41	RF1-3303	Heating Lamp
42	RF1-2483	Thermoswitch
43	RF1-2484	Thermoswitch
44	RF1-2405	Thermistor Cable
45	RF1-2427	Cable Connector

HP LX - IIP / IIP

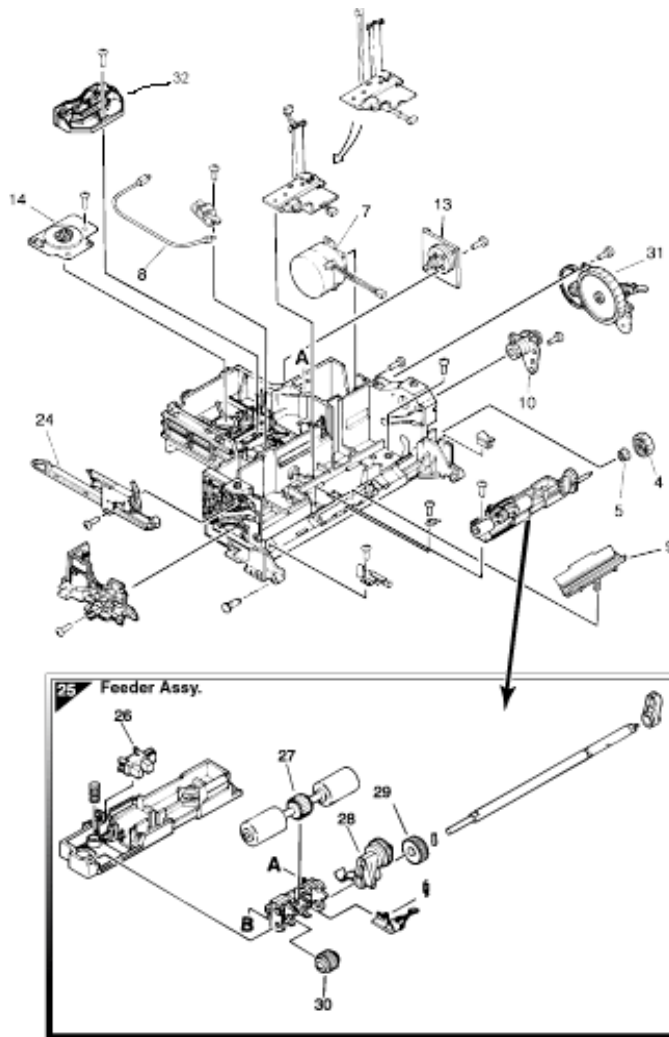
Face Down Delivery Assembly



Ref	Part #	Description
All	RG1-1791	Face Down Delivery Assembly
4	RA1-7708	Delivery Roller
4A	N/A	Delivery Roller Tires
7	RS1-0303	13T Gear

HP LX - IIP / IIP

Internal Components w/Feeder Assembly

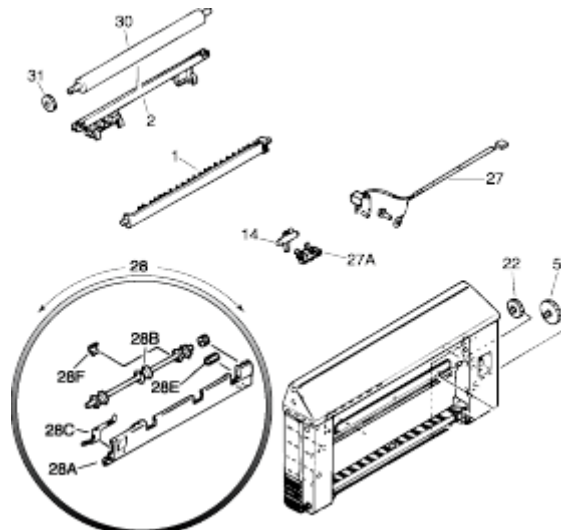


Ref	Part #	Description
4	RS1-0284	30T Gear
5	RS1-1048	Bushing
7	RH7-1094	Motor
8	RH2-5104	Fiber Optic Cable (2)
9	RG1-1912	Separation Pad
	LP-1912	Separation Pad Cork Only (4pcs)
10	RG1-1777	Drum Drive Assembly
13	RG1-1769	Laser Assembly
14	RG1-1771	Scanner Assembly

24	RG1-1781	Rod Assembly
25	RG1-1791	Face Down Delivery Assembly
26	WG8-0291	Photo Sensor
27	RF1-2394	Paper Feed Roller
28	RF1-2395	Drive Arm
29	RS1-0283	15T Gear
30	RS1-0281	25T Gear
31	RG1-1776	Drive Assembly
32	Lens assembly	Lens Assembly(5)

HP LX - IIP / IIP

Front Cover Assembly

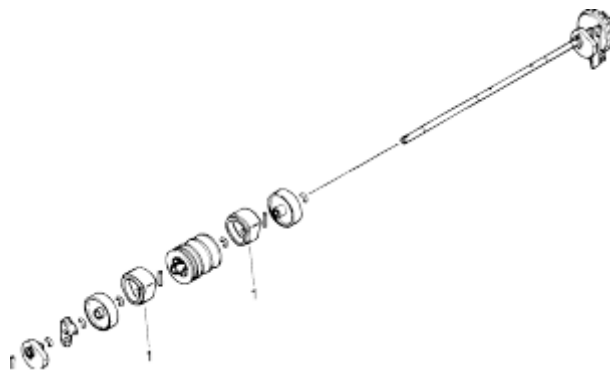


Ref	Part #	Description
1	RA1-7626	Deflector
2	RG9-0681	Transfer Guide Assembly
5	RS1-0290	30T Gear

14	RA1-7562	Paper Sensor Level
22	RS1-0291	20T Gear
27	RG1-1608	Cable Assy.
28	RA1-1832	Face Up Cover Assembly
30	RA1-7627	Transfer Roller
31	RS1-0292	27T Gear
28A	RA1-7721	Upper Front Cover
28B	RA1-7714	Delivery Roller
28C	RA1-7716	Grounding Plate
28E	RS1-0305	14T Gear
28F	RA1-7822	Support Roller

HP LX - IIP / IIIP

Pick Up Roller Assembly



Ref	Part #	Description
1	RA1-7573	Pick Up Roller